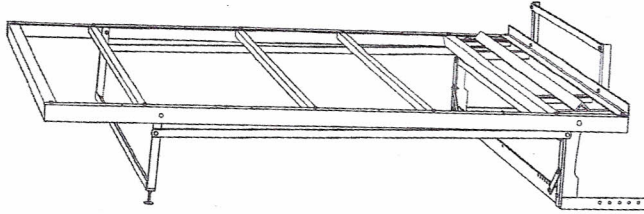


MURPHY BED ASSEMBLY



ANGLE BOX CONTENTS

- (1) Bottom Spring Bar
2"x2"x33-3/4" (S), 48-3/4" (D), 54-3/4" (Q) Q-BSB
- (1) Yoke Connector Bar
1/8"x1"x33-3/4" (S), 48-3/4" (D), 54-3/4" (Q) Q-YCB
- (1) Foot Rail
2"x1-1/2"x35-1/2" (S), 50-1/2" (D), 56-1/2" (Q) Q-FR
- (1) Leg Connector Bar
1"x1"x34" (S), 49" (D), 55" (Q) Q-LCB
- (3) Stiffeners
1"x1"x35" (S), 50" (D), 56" (Q) Q-ST

MURPHY BEDS - UNIVERSAL BOX CONTENTS

- (1) Right Leg
3/16"x1"x11" U-RL
- (1) Left Leg
3/16"x1"x11" U-LL
- (2) Angle Braces
1/8"x1"x5-1/4" U-AB
- (2) Mattress Arms
1"x1"x6-1/2" U-MA
- (1) Mattress Retainer Bar
1/4"x1"x33" U-MRB
- (2) Leg Actuator Bars
3/16"x1"x53" U-LAB
- (1) Right Side Rail
1.5"x2"x73-3/16" U-RSR
- (1) Left Side Rail
1.5"x2"x73-3/16" U-LSL

MURPHY BEDS - HARDWARE BOX CONTENTS

- (1) Right Floor Yoke
11.5"x11.5" RFY
- (1) Left Floor Yoke
11.5"x11.5" LFY
- (1) Weldment
Single - 10"x35"
Double - 10"x50"
Queen - 10"x56" SWELD
DWELD
QWELD
- (28) Hex Hd. Screws
1/4-20 x 3/4" UMB75
- (2) Hex Hd. Screws
1/4-20 x 1.25" UMB125
- (30) Nylon Insert Blk. Locknuts
1/4"-20 UMNNYL
- (8) Concrete Anchors UMANC
- (2) Leg Levellers UMLEV
- (4) Nylon Washers UMWNY
- (2) Nylon spacers
.500-O.D. x .26-I.D. UMSPNY
- (2) Zinc Washers
3/4"-O.D. x 3/16" ZW
- (2) Quadrex Pan Hd. Screws
8 x 5/8" PHS-.625
- (2) Straps S-46
- Springs 1225
- (4) NOT Y4-20

MURPHY BEDS - YOKE ASSEMBLY

LEGEND

	LFY - Left Floor Yoke
	RFY - Right Floor Yoke
	LAB - Leg Actuator Bar
	YCB - Yoke Connector Bar
	BSB - Bottom Spring Bar
	AB - Angle Brace
S - Single	UMWNY - Nylon Washer
D - Double	UMNNYL - Nylon Insert Locknut
Q - Queen	UMB75 - 3/4" Bolt
U - Universal	

1. Fasten right floor yoke (RFY) and left floor yoke (LFY) loosely to the bottom spring bar (-BSB) with two pairs of 3/4" bolts (UMB75) and nylon insert locknuts (UMNNYL). See figure 2.
2. Fasten angle braces (U-AB) and yoke connector bar (-YCB) to pieces from step 1 with 3/4" bolts (UMB75) and nylon insert locknuts (UMNNYL). See figure 2.
3. Tighten down bolts and nuts.
4. Attach leg actuator bars (U-LAB) to floor yokes using 3/4" bolts (UMB75), nylon washers (UMWNY) and nylon insert locknuts (UMNNYL). Tighten snug.
5. Position frame on floor inside wall cabinet with equal space on the left and right.
6. Position front of Yoke 14" (minimum) from wall and mark anchor holes on floor.
7. Remove frame and drill holes. Install anchors (UMANC) in holes. See figure 3.
8. Attach frame to floor with anchor bolts. See figure 3.

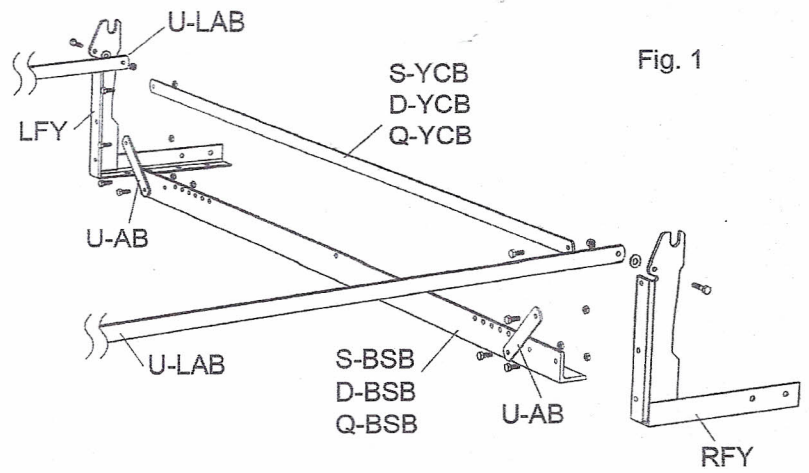


Fig. 1

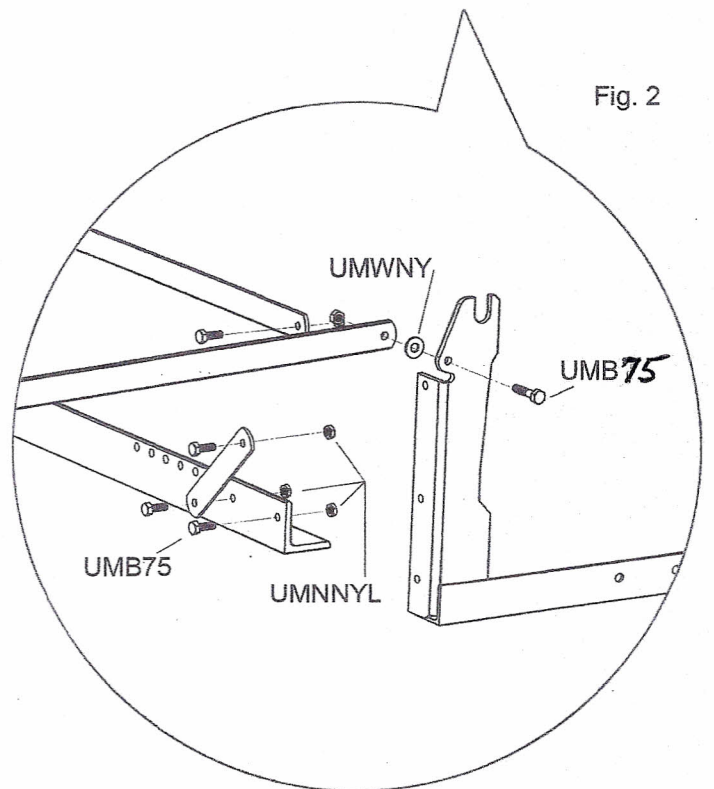
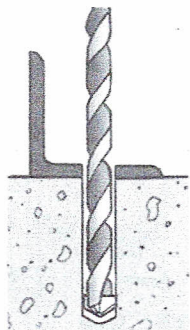
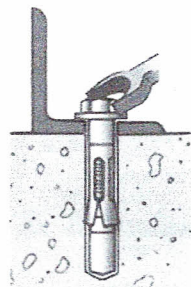


Fig. 2

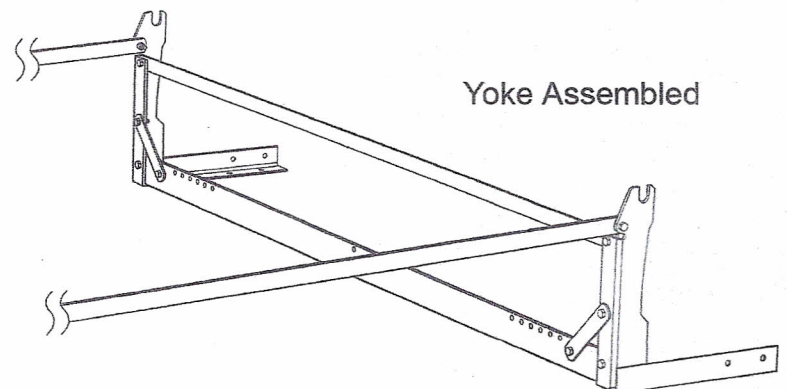


Drill



Anchor

Fig. 3



Yoke Assembled

MURPHY BEDS - FRAME ASSEMBLY

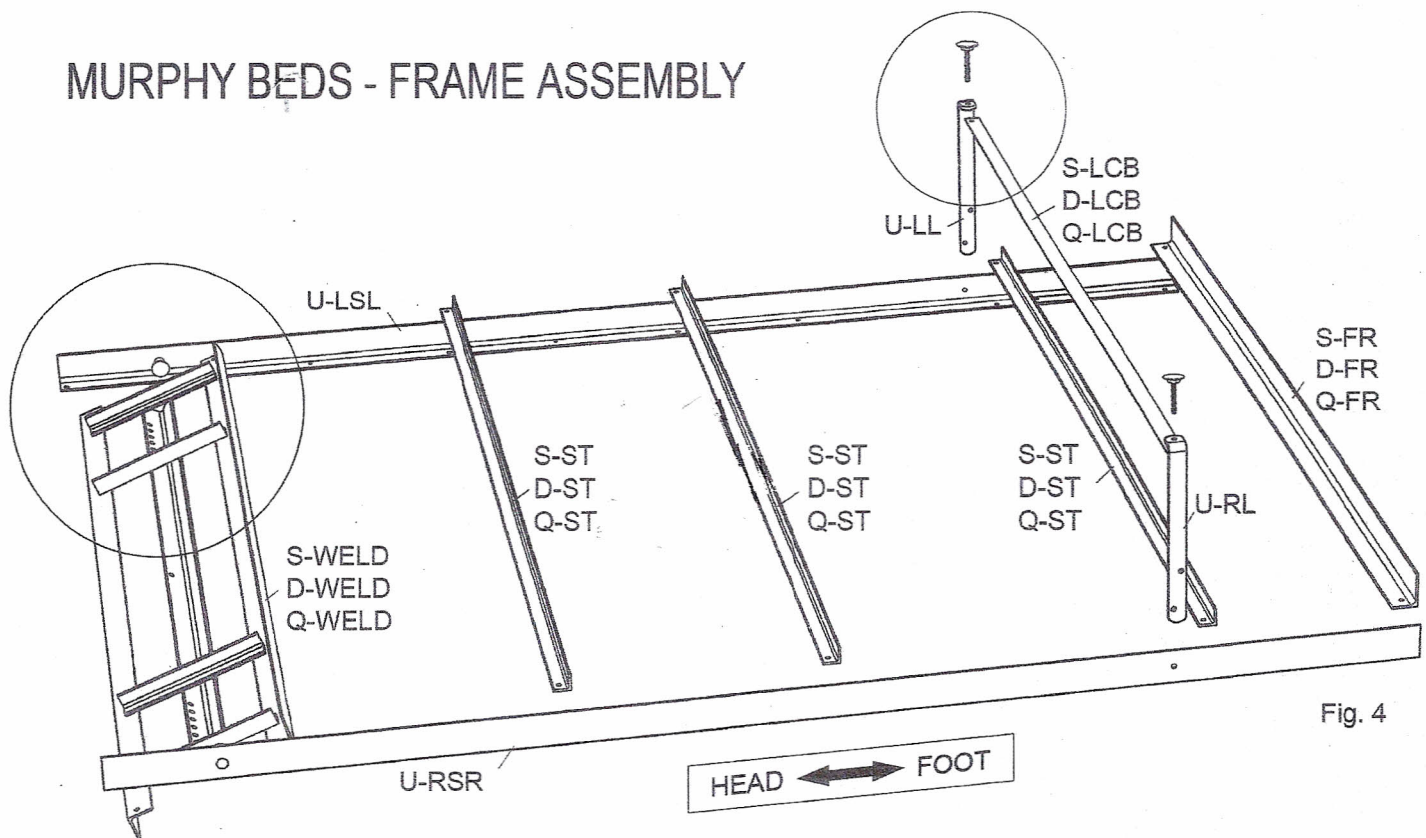


Fig. 4

LEGEND

S - Single	WELD - Weldment	LL - Left Leg
D - Double	ST - Stiffener	RL - Right Leg
Q - Queen	LCB - Leg Connector Bar	RSR - Right Side Rail
U - Universal	FR - Foot Rail	LSR - Left Side Rail

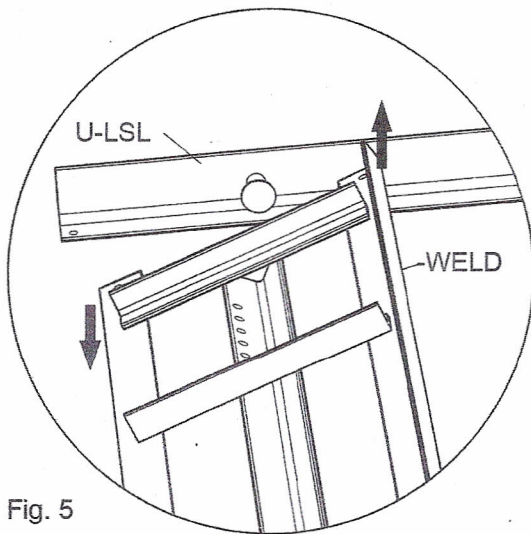


Fig. 5

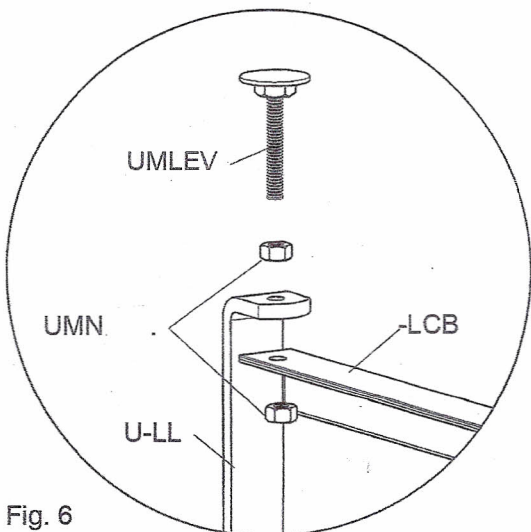


Fig. 6

9. Lay parts on floor upside down as shown above, Figure 4.
10. Attach stiffeners (-ST) and foot rail (-FR) to side rails with 3/4" bolts (UMB75), bringing bolt through side rail and into crossbar. Fasten loosely with nylon insert locknuts (UMNNYL).
11. Using 3/4" bolts (UMB75), attach the provided weldment (-WELD) to the side rails with the spring holes towards the head of the bed. Make sure the weldment straddles the side rails as shown to take stress off the bolts. See figure 5 to the left.
12. Square the frame, then tighten all bolts and nuts.
13. Attach left and right legs to side rails of frame using the nylon spacers (UMSPNY) with the 1-1/4" bolts (UMB125), and tighten snug. Note: The holes used to connect to the the legs to the side rails are offset towards the head of the bed.
14. Attach leg connector bar (-LCB) using the adjustable leg levellers (UMLEV) and two **nuts** (UMN) as shown in figure 6.

MURPHY BEDS - FRAME ASSEMBLY

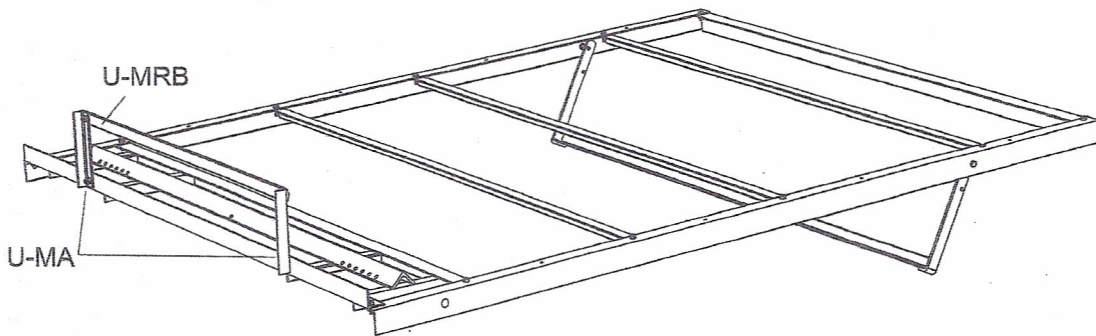


Fig. 7

15. Turn the mattress frame right side up.
16. Attach the two Mattress Arms (U-MA) to the head of the frame and attach the Mattress Retainer Bar (U-MRB) to the ends of the the Mattress Arms. Fasten pieces together with 3/4" bolts (UMB75) inserted from the mattress side. See figure 7.
17. Place the bed frame assembly vertically onto the floor yoke assembly as shown in figure 8.
18. Attach the tops of the leg actuator bars to the leg assembly with 3/4" bolts (UMB75), nylon washers (UMWNY), and locknuts (UMNMYL) and tighten snug. Figure 9.
19. Bring to a vertical position to install springs. Place spring hooks into the Bottom Spring Bar (_BSB) first and with a screwdriver pull the top spring hooks into their respective holes in the weldment piece (_WELD). See figure 10.

Fig. 9

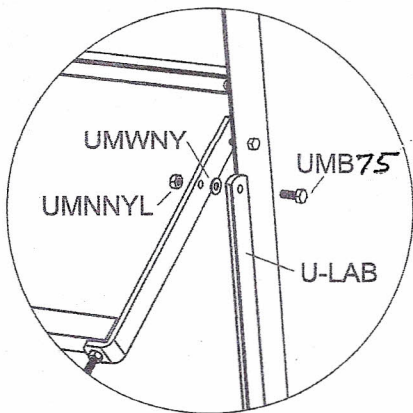


Fig. 8

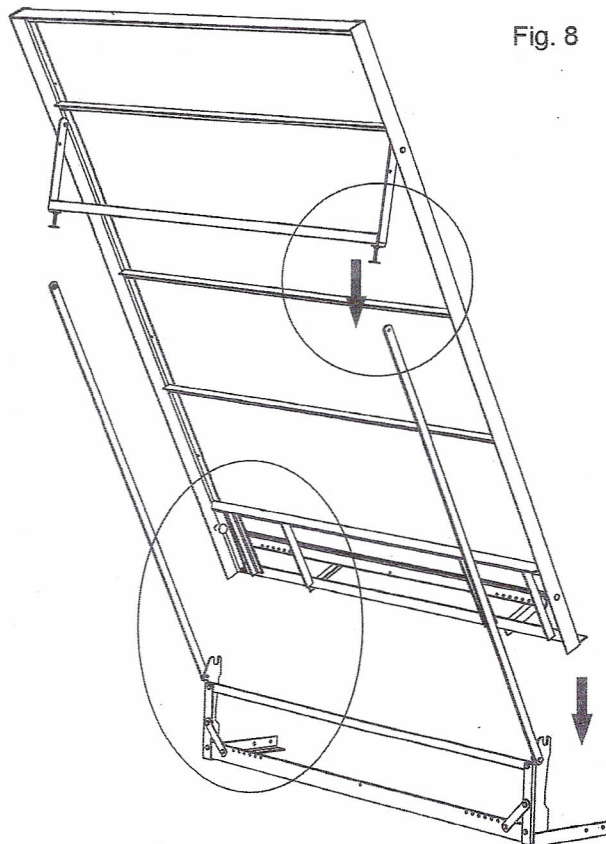


Fig. 10

